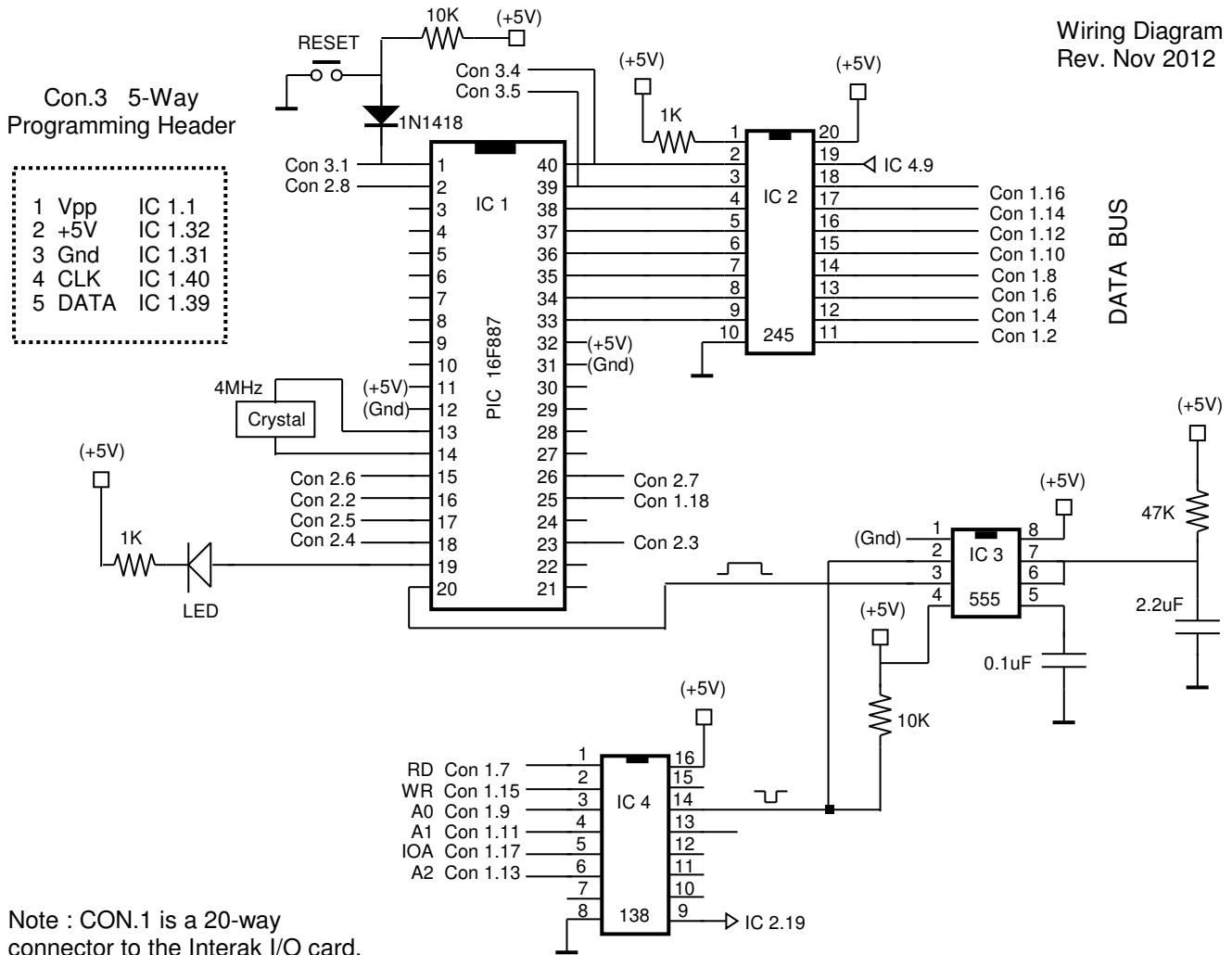


INTERAK COMPUTER SYSTEM

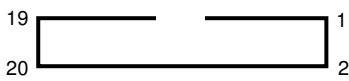
Vision System using Mitsubishi M64282FP Image Sensor

(AP) Oct 2012

Wiring Diagram
Rev. Nov 2012



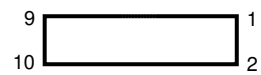
Con.1 20 way IDC



PIN ALLOCATION

1	Gnd	2	D0
3	Gnd	4	D1
5	Gnd	6	D2
7	RD	8	D3
9	A0	10	D4
11	A1	12	D5
13	A2	14	D6
15	WR	16	D7
17	IOA + IOB	18	NMI
19	+5V	20	+5V

Con.2 10-Way IDC



PIN ALLOCATION

1	+5V	2	Start
3	Sin	4	Load
5	Reset	6	CLK
7	Read	8	Vout
9	Gnd	10	nc

10-way connector to Image Sensor