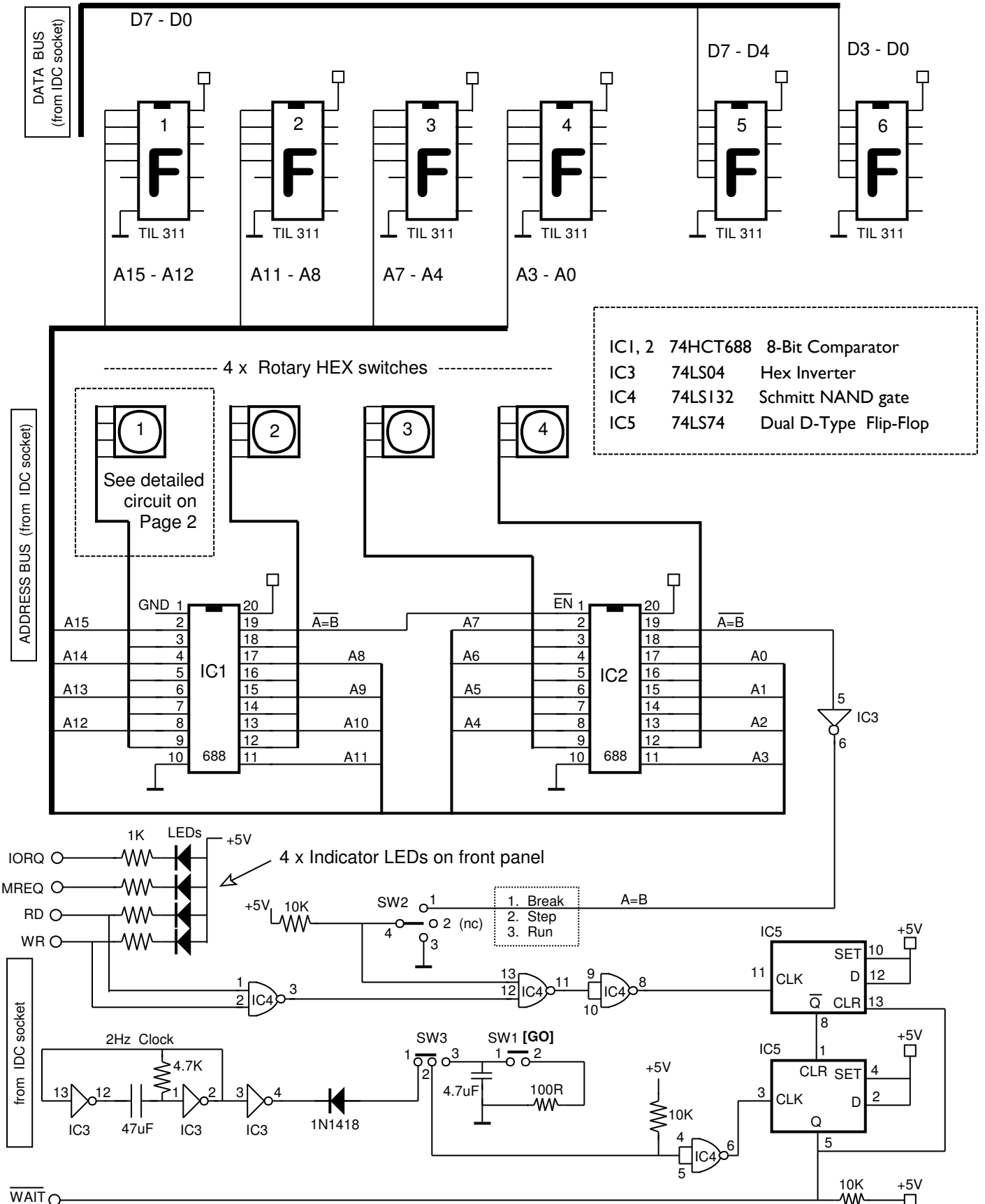


INTERAK COMPUTER SYSTEM

Micro Stepper Interface

(AP) May 2010



INTERAK COMPUTER SYSTEM

Micro Stepper Interface

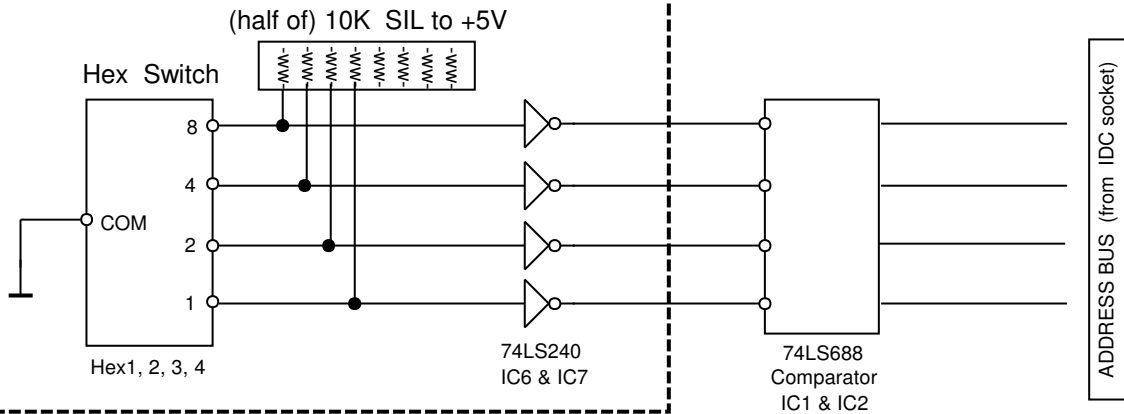
(AP) May 2010

----- 4 x Rotary HEX switches -----

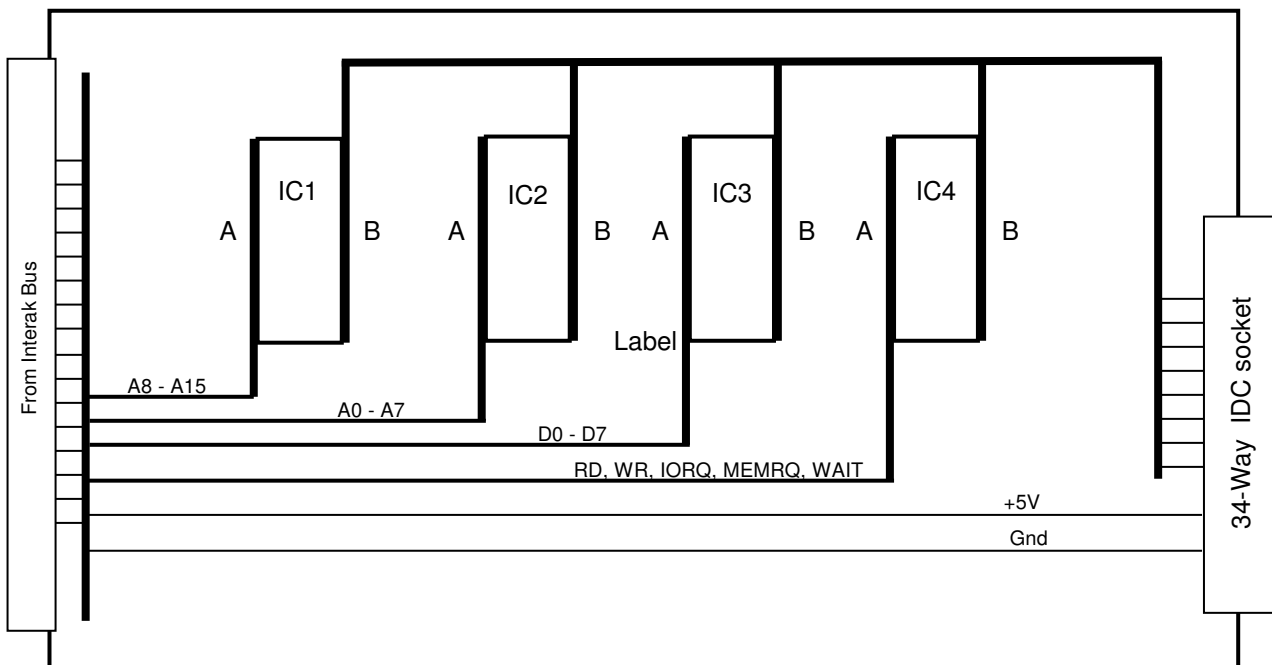


IC6, 7 74LS240 8-Bit Inverting Buffer
SIL 1, 2 10K

**Detail of Hex Switch circuit
(repeated for each switch)**



Extender Card - as used with Micro Stepper



IC1, 2, 3 74LS245 Transceiver
IC4 74LS244 Buffer
All Buffers permanently enabled
with direction A to B (card Bus to IDC)
- except WAIT which is B to A